



X-Mitter

Advantages

- ▶ 1-channel wireless switch and dimmer
- ▶ Comfortable light switching
- ▶ Can be integrated in a smart home

Features

- ▶ Memory function for power failure
- ▶ Set works independently or in the smart home network
- ▶ Remote control and smart receiver are programmed in the set

Order information

- ▶ Set consists of X-Mitter Smart Remote Control and Smart Receiver
- ▶ 230 Volt AC receiver can only on/off switch, not dim
- ▶ The Smart.home overview shows how our switch systems can be combined with each other and with third party providers

X-Mitter (1-channel wireless switch and dimmer)

X-Mitter Smart Set 230 Volt AC with Euro flat plug	31 110 01
X-Mitter Smart Set 12 Volt DC	31 108 01
X-Mitter Smart Set 24 Volt DC	31 109 01
X-Mitter Smart Remote Control with drilling ring	31 107 01

Accessories*

Smart Receiver 12 Volt DC	31 100 01
Smart Receiver 24 Volt DC	31 102 01
Smart Receiver 230 Volt AC with Euro flat plug	31 104 01
Extension set 12 Volt DC 30 W, receiver and electronic ballast	31 105 01
Extension set 12 Volt DC 60 W, receiver and electronic ballast	31 106 01

* Further accessories in section Switch systems/Ballasts and leads

Technical details



Transmitter surface: soft lacquer black
 Receiver housing: black
 Max. switching power: 12 Volt DC-36 W
 24 Volt DC-120 W
 230 Volt AC-500 W

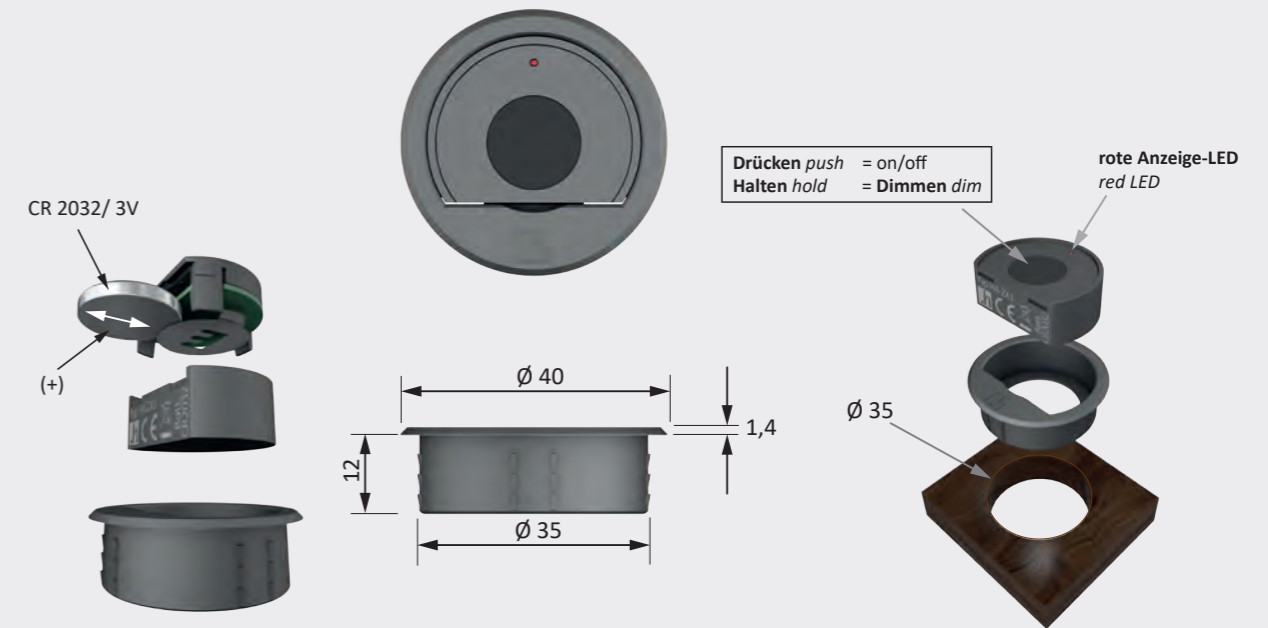
Test mark and symbols: CE, RoHS, WEEE
 Line lengths: see drawing
 Standby receiver HV: <0.5 W
 Standby receiver NV: <0.3 W
 Plug connector: LED connector M1/MP2/Euroflat



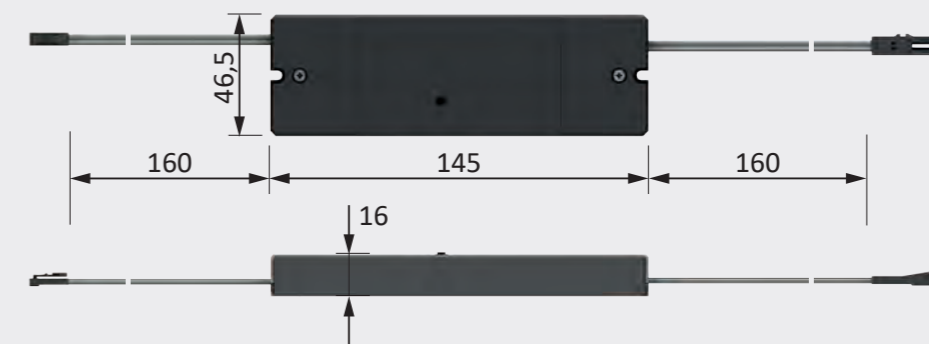
Zigbee controller for controlling lights

- Uses the Zigbee 3.0 protocol
- Supports Zigbee TouchLink
- Adding devices to the self-configuring Zigbee Touchlink network possible
- Compatible with Zigbee Gateway universal products
- Compatible with Zigbee universal remote controls

Dimensional drawing / installation



31.108.01 / 31.109.01 Smartempfänger smartreceiver 12VDC / 24VDC



31.110.01 Smartempfänger smartreceiver 230/240VAC (keine Dimmfunktion no dimming)

