



### 4-Mitter

**Advantages**

- ▶ 4-channel wireless switch and dimmer
- ▶ Comfortable light switching
- ▶ Can be integrated in a smart home

**Features**

- ▶ Memory function for power failure
- ▶ Storage of 2 light scenes
- ▶ Remote control and smart receiver are in the set programmed in the set
- ▶ Set works independently or in smart home network

**Order information**

- ▶ Set consists of 4-Mitter Smart Remote control and Smart Receiver
- ▶ The Smart.home overview shows how our switch systems can be combined with each other and with third party providers

#### 4-Mitter (4-channel wireless switch and dimmer)

4-Mitter Smart Radio Switch Set 12 Volt DC	31 115 01
4-Mitter Smart Radio Switch Set 24 Volt DC	31 116 01
4-Mitter Smart Remote Control	31 117 01

#### Accessories\*

Smart Receiver 12 Volt DC 4-Channel	31 101 01
Smart Receiver 24 Volt DC 4-Channel	31 103 01
Wall mount Smart Basic, magnetic	36 257 01

\* Further accessories in section Switch systems/Ballasts and leads

### Technical details



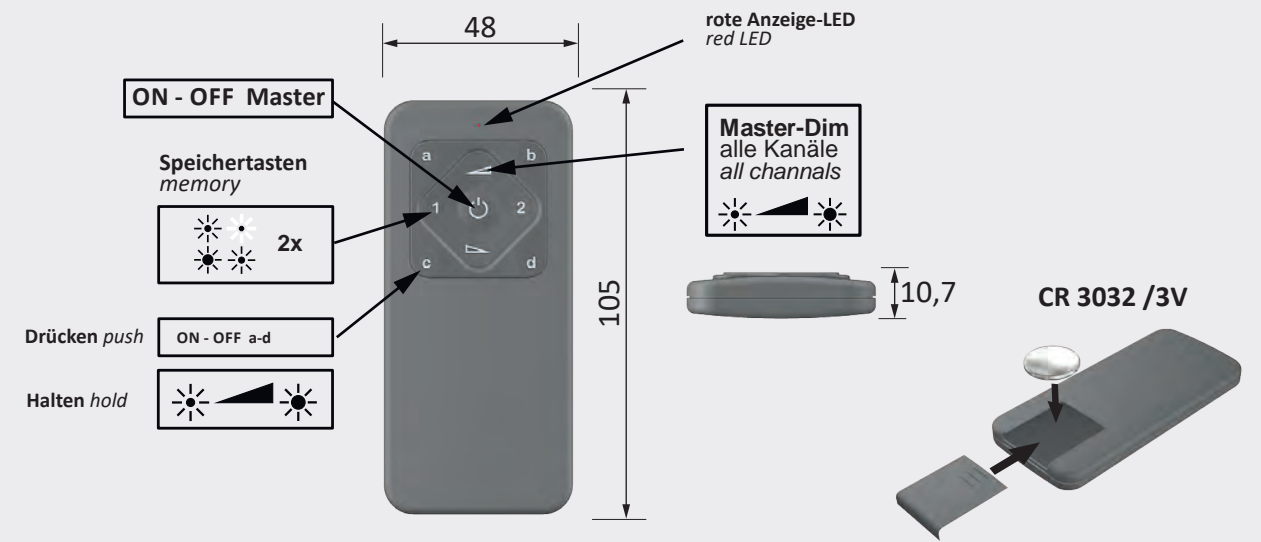
Transmitter surface: Soft lacquer black  
 Receiver housing: Black  
 Max. switching power: 12 Volt DC-4\*36W  
 24 Volt DC-4\*72W  
 Test marks and symbols: CE, RoHS, Energy Star  
 Supply lead: 160 mm  
 Switching lead: 160 mm  
 Standby receiver: <0.3 W  
 Plug connector: LED  
 Plug connector: M1/MP2



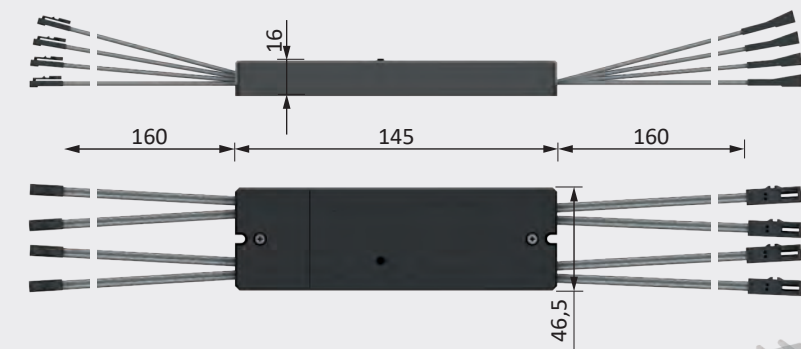
Zigbee controller for controlling lights

- Uses the Zigbee 3.0 protocol
- Supports Zigbee TouchLink
- Adding devices to the self-configuring Zigbee Touchlink network possible
- Compatible with Zigbee Gateway universal products
- Compatible with Zigbee universal remote controls

### Dimensional drawing / installation



#### 31.101.01 / 31.103.01 Smartempfänger smartreceiver 12VDC / 24VDC



#### 31.117.01

