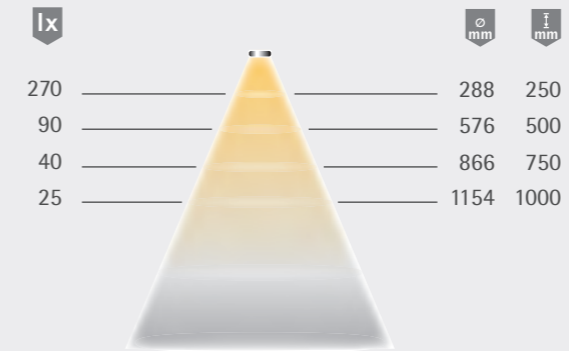




Light distribution diagram 60°



## SideSpot

### Advantages

- ▶ Accentuation by light from below/side
- ▶ Can be used without glare

### Features

- ▶ Oblique light emission
- ▶ Recessed luminaire for 35 mm mounting diameter

### Examples of use

- ▶ Shelves
- ▶ Display cabinets
- ▶ Carcase sides and shelves

### Order information

- ▶ With direct connection of a MultiWhite luminaire to an electronic ballast, the light colour is XtraWarmWhite (2700K)

## Technical details



12V

### SideSpot

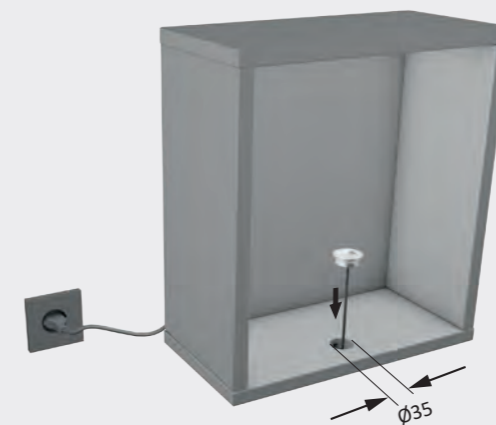
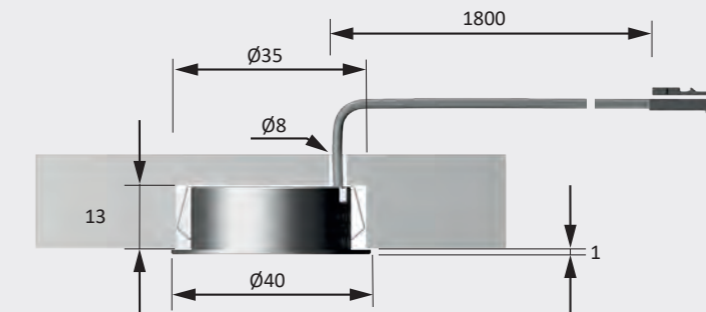
	MultiWhite*	Extra WarmWhite	CoolWhite
Black	32 171 35	32 171 45	32 171 25

### Accessories\*\*

S-Mitter Basic MultiWhite Smart Set	31 123 01
LED ballast 20 W with flat Euro plug	31 016 01
M1 extension lead 1800 mm	36 768 01
M1 3-way distributor 180 mm	36 852 01
M1 6-way distributor 2000 mm	36 125 01

Luminaire type:	LED recessed light
Type of lighting:	Functional / accent lighting
Surface finish:	Black
Operating voltage:	12 V DC
Light colour:	MultiWhite/ XtraWarmWhite/ CoolWhite
Colour rendering:	RA >80
Luminous flux:	50 lm
Luminaire efficiency:	30 lm/W
Light source efficiency:	45 lm/W
Life span:	40,000 h (L70)
Power consumption:	1.4 W
Dimmable:	Yes/PWM/Smart.home
Beam angle:	90°
Half value angle:	60°
Test mark and symbols:	CE
Protection rating:	IP 20
Installed diameter:	35 mm
Supply lead:	800 mm
Plug connector:	LED mini M1 plug connector
Connection to:	LED ballast

## Dimensional drawing / installation



\* MultiWhite accessories required  
\*\* Further accessories in section Switch systems