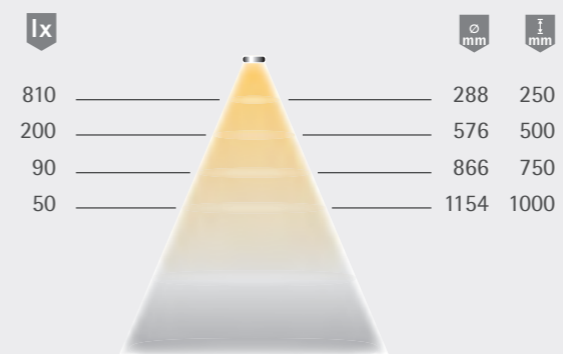
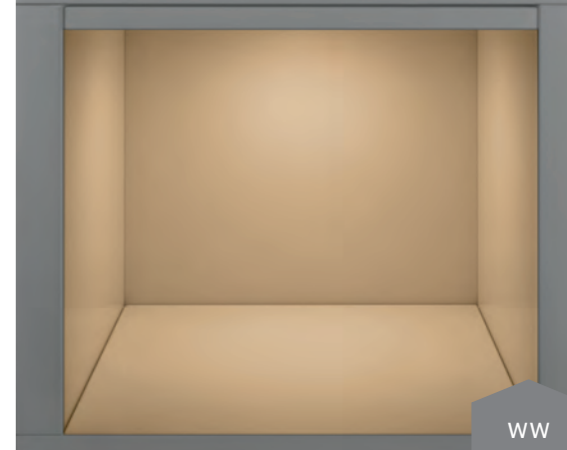




Light distribution diagram 60°



Light box



Eco Spot

Advantages

- ▶ Entry-level recessed spotlight
- ▶ Compact light
- ▶ Evenly illuminated area

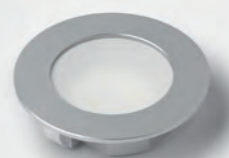
Examples of use

- ▶ Shelves
- ▶ Display cabinets

Features

- ▶ For 58 mm mounting diameter
- ▶ Wide beam without shadows

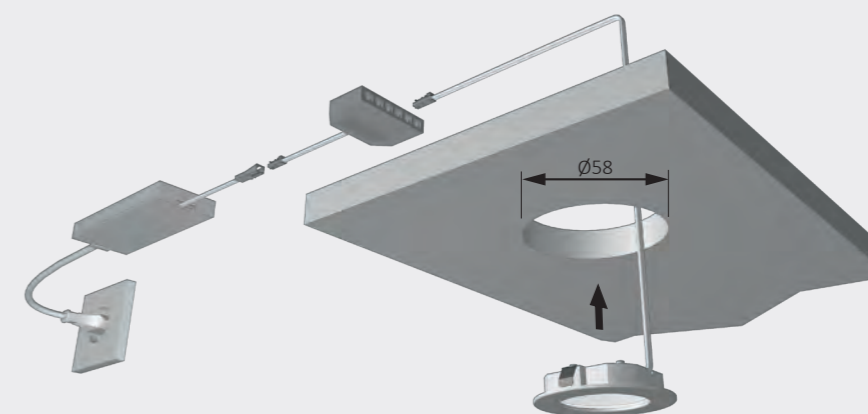
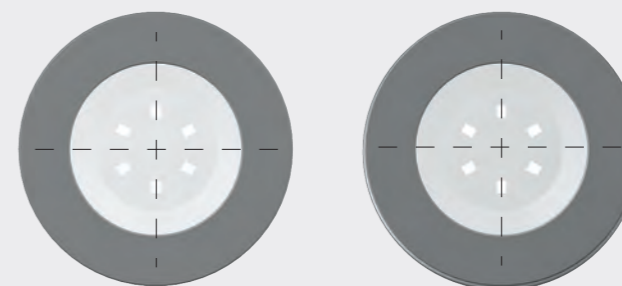
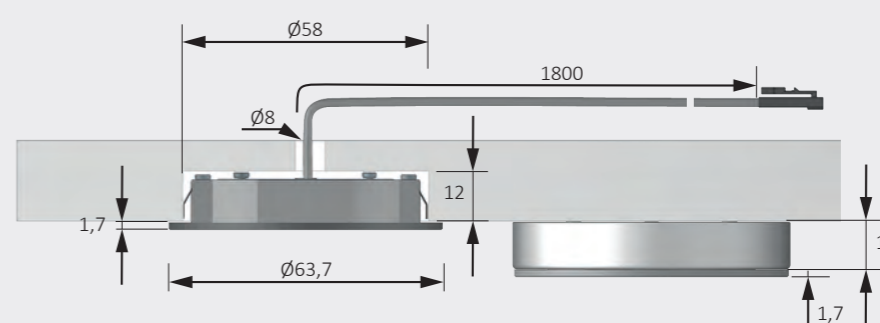
Technical details



12V

Luminaire type: LED recessed light
Type of lighting: Functional / accent lighting
Surface finish: Aluminium look / Stainless steel look
Operating voltage: 12 V DC
Light colour: WarmWhite / NeutralWhite
Colour rendering: RA >80
Luminous flux: 110 lm
Luminaire efficiency: 73 lm/W
Light source efficiency: 87 lm/W
Life span: 40,000 h (L70)
Power consumption: 1.5 W
Dimmable: Yes/PWM/Smart.home
Beam angle: 90°
Half value angle: 60°
Test mark and symbols: CE, RoHS, Energy Star
Protection rating: IP 20
Installed diameter: 58 mm
Supply lead: 1800 mm
Plug connector: LED mini M1 plug connector
Connection to: LED ballast

Dimensional drawing / installation



Eco Spot

	WarmWhite	NeutralWhite
Stainless steel look	32 153 19	32 153 09
Stainless steel look (set of 10)	32 153 69	32 153 59

Accessories*

Surface-mounted housing in stainless steel look	36 244 09
LED ballast 20 W with flat Euro plug	31 016 01
M1 extension lead 1800 mm	36 768 01
M1 3-way distributor 180 mm	36 852 01
M1 6-way distributor 2000 mm	36 125 01

* Further accessories in section Switch systems