



MultiSwitch² Contact

Advantages

- ▶ Infrared sensor for drill-hole or surface mounting
- ▶ Connection of 1 up to 4 identical sensors to a Master unit

Features

- ▶ Soft ON/OFF function (soft-start when power Switching on/off only with 12/24 Volt DC)
- ▶ Memory function for power failure
- ▶ Not compatible with dimmers

- ▶ The sensor has two settings - switch and door contact

Examples of use

- ▶ Door contact switch
- ▶ Non-contact sensor switch (infrared sensor) for screwing on

Order information

- ▶ For other sensors, see other pages

Technical details



For use with: LED lights
 Max. switching power: 12 Volt DC-36 W
 24 Volt DC-120 W
 230 V AC
 -max. 500 W

Test marks and symbols:

Switching distance: see drawing
 Sensor lead: 3000 mm
 Master unit
 Supply lead: HV 3000 mm
 LV 2000 mm
 Switching lead: HV 150 mm
 LV 300 mm
 Standby: <0.5 W
 Plug connector: LED connector
 M1/MP2/
 Euroflat

MultiSwitch IR (infrared sensor)

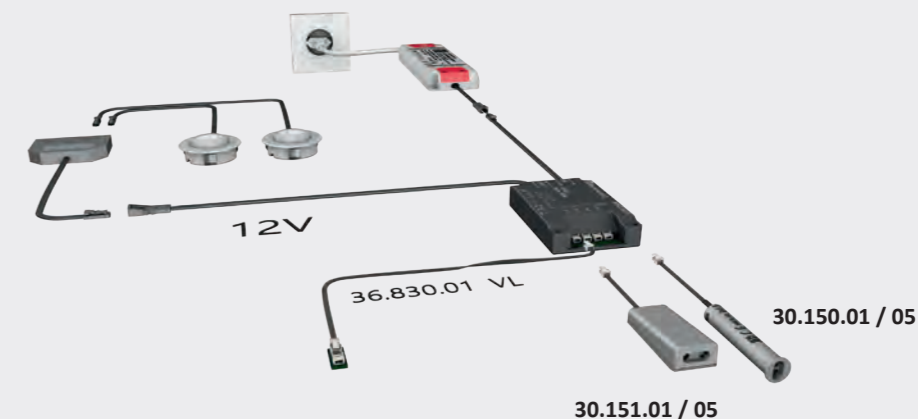
Infrared sensor for drilling in (IR door contact switch, aluminium look)	30 150 01
Infrared sensor for drilling in (IR door contact switch, black)	30 150 05
Infrared sensor for screwing on (IR sensor or door contact switch, aluminium look)	30 151 01
Screw-on infrared sensor (IR sensor or door contact switch, black)	30 151 05
Master unit 230 Volt AC-500 W with Euro flat plug	30 141 01
Master unit 12 Volt DC-36 W*	30 142 01
Master unit MultiWhite 12 Volt DC-36 W**	30 144 01
Master unit 24 Volt DC-120 W*	30 143 01

Accessories

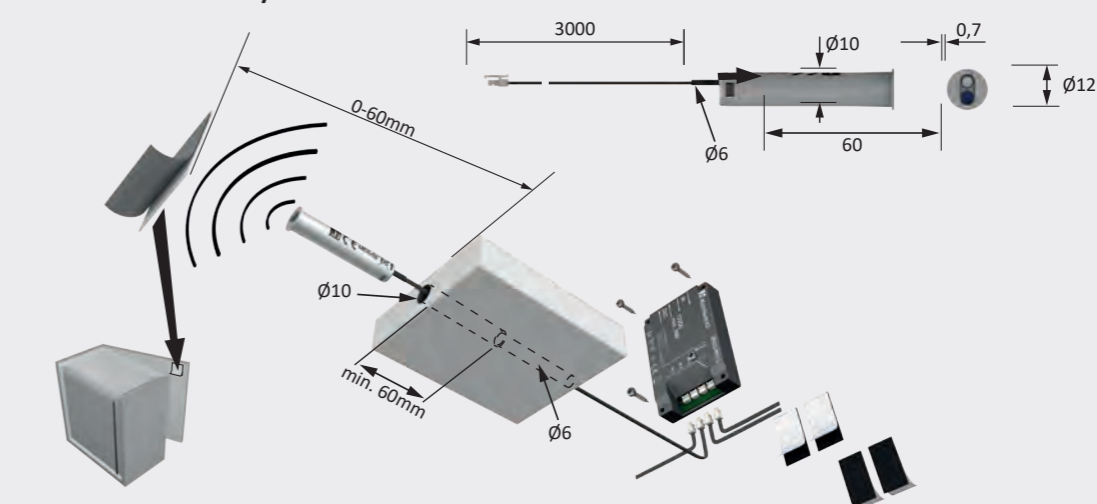
Repeater 12 Volt DC	30 263 07
Repeater 24 Volt DC	30 263 08
Extension lead sensor cable 3000 mm***	36 830 01

* Only for use with dimmable LED luminaires
 ** Can be used behind MultiWhite controls
 *** Maximum one per sensor

Dimensional drawing / installation



Max. 4x 30.150.01 / 30.150.05



Max. 4x 31.151.01 / 31.151.05

