



Dimmer angle element

Advantages

- ▶ For switching and dimming

Features

- ▶ Memory function for power failure
- ▶ For surface mounting

Examples of use

- ▶ Switching and dimming of furniture lights

Ordering information

- ▶ LED ballasts and LED lights must be ordered separately
- ▶ Sales unit: 1

Technical details in brief

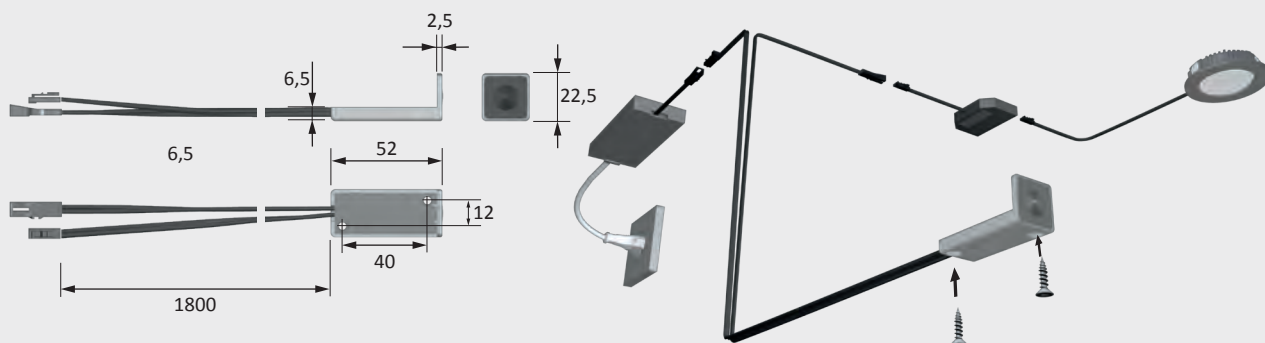


Can be used with:	LED lights
Plug connection:	LED mini M1 plug connector
Switching voltage:	12 V DC
Max. switching power:	36 W
Test marks and symbols:	CE ▽ ▽ ▽ ▽
Supply lead:	1800 mm
Control lead:	1800 mm
Standby:	< 0.5 W

Dimmer angle element

Article	Order no.
Dimmer angle element	30 575 01

Dimensional drawing / installation





Dimmer module

Advantages

- ▶ Dimmer module
- ▶ For connection to house installation dimmers

Features

- ▶ For use with 1-10 V control systems only

Examples of use





- ▶ Furniture lighting

Ordering information

- ▶ For 1-10 V control signal / potentiometer
150 kilohm or 220 kilohm
- ▶ LED ballasts and LED lights must be ordered separately
- ▶ Sales unit: 1

Technical details in brief



Can be used with: LED lights
 Plug connection: LED mini
 M1/MP2 plug connector
 Switching voltage: 12/24 V DC
 Max. switching power: 36 /80 W
 Test marks and symbols:    
 Supply lead: 300 mm
 Control lead: 300 mm
 Standby: < 0.5 W

Dimmer module	
Article	Order no.
Dimming module 1-10 V - 12V	30 580 02
Dimming module 1-10 V - 24V	30 580 01

Dimensional drawing / installation

