

Channelline G1

Advantages

- ▶ Aluminium recessed profiles
- ▶ With clear or opal cover

Features

- ▶ Profile for combination with Versa lights
- ▶ Suitable for installation of 2 Versa Inside units, one emitting light at an angle and the other straight into the cabinet

Examples of use

- ▶ Cabinet interior lighting
- ▶ Kitchen midway sections

Ordering information

- ▶ Application image shows Channelline G1 with 2 x Versa Inside 120
- ▶ LED ballasts and LED lights must be ordered separately
- ▶ Sales unit: 1

Technical details in brief



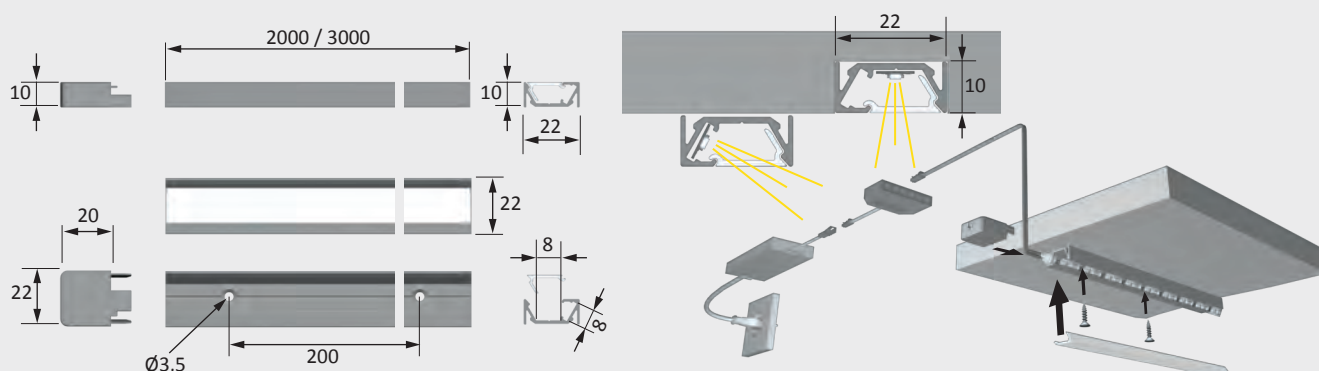
Recommended for:

- Versa Inside 60
- Versa Inside 90
- Versa Inside 120 (12 V only)

Channelline G1

Article	Order no. Clear cover	Order no. Opal cover
Aluminium / plastic profile 2000 mm	55 704 11	55 704 01
Aluminium / plastic profile 2000 mm (10 units per set)	55 704 13	55 704 03
Aluminium / plastic profile 3000 mm	55 704 12	55 704 02
Aluminium / plastic profile 3000 mm (10 units per set)	55 704 14	55 704 04
End cap (2 units per set , left + right)	25 554 01	25 554 01

Dimensional drawing / installation





Channelline G2

Advantages

- ▶ Aluminium recessed profiles
- ▶ With clear or opal cover

Features

- ▶ Profile for combination with Versa lights
- ▶ Suitable for installation of 2 Versa Inside units, one emitting light at an angle and the other straight into the cabinet
- ▶ With surface-mounted collar

Examples of use

- ▶ Cabinet interior lighting
- ▶ Kitchen midway sections

Ordering information

- ▶ Application image shows Channelline G2 with 1 x Versa Inside 120
- ▶ LED ballasts and LED lights must be ordered separately
- ▶ Sales unit: 1

Channelline G2

Article	Order no. Clear cover	Order no. Opal cover
Aluminium / plastic profile 2000 mm	55 705 11	55 705 01
Aluminium / plastic profile 2000 mm (10 units per set)	55 705 13	55 705 03
Aluminium / plastic profile 3000 mm	55 705 12	55 705 02
Aluminium / plastic profile 3000 mm (10 units per set)	55 705 14	55 705 04
End cap (2 units per set , left + right)	25 556 01	25 556 01
Installation spring (2 units per set)	25 607 01	25 607 01

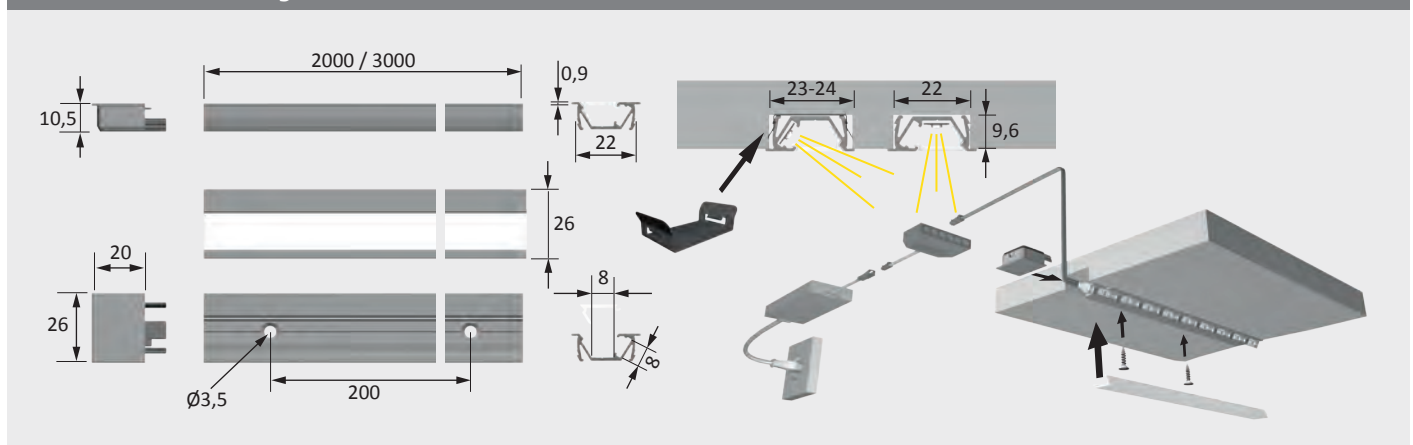
Technical details in brief



Recommended for:

- Versa Inside 60
- Versa Inside 90
- Versa Inside 120 (12 V only)

Dimensional drawing / installation



QUESTIONS? Then please call our service team or write to us by e-mail