



## Channelline D

### Advantages

- ▶ Aluminium surface-mounted/recessed profile
- ▶ With clear or opal cover

### Features

- ▶ Profile for combination with Versa lights
- ▶ To increase the luminance, install 2 Versa Inside lights beside each other
- ▶ Suitable for connectors inside profile (with 1 Versa only)
- ▶ Can be combined with Channelline sensor

### Examples of use

- ▶ Furniture edges

### Ordering information

- ▶ Application image shows Channelline D with Versa Inside 90
- ▶ LED ballasts and LED lights must be ordered separately
- ▶ Sales unit: 1

### Technical details in brief



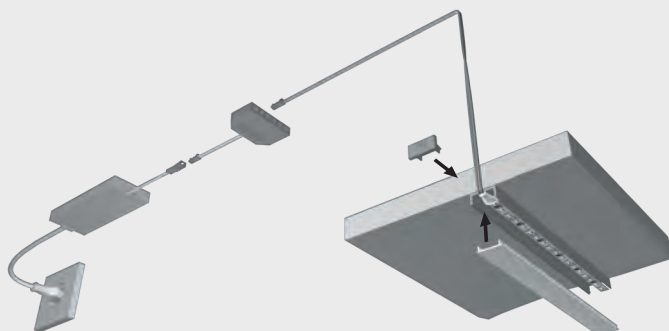
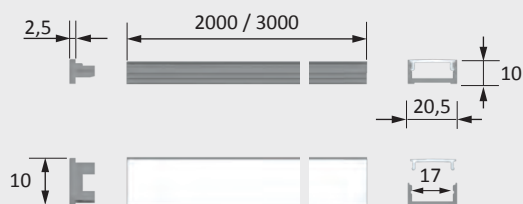
### Recommended for:

- Versa Inside 60
- Versa Inside 90
- Versa Inside 120
- Versa Inside 120 HP

### Channelline D

Article	Order no. Clear cover	Order no. Opal cover
Aluminium / plastic profile 2000 mm	55 662 11	55 662 01
Aluminium / plastic profile 2000 mm (10 units per set)	55 662 15	55 662 05
Aluminium / plastic profile 3000 mm	55 662 12	55 662 02
Aluminium / plastic profile 3000 mm (10 units per set)	55 662 16	55 662 06
End cap (2 units per set)	25 570 01	25 570 01

### Dimensional drawing / installation





## Channelline I

### Advantages

- ▶ Aluminium surface-mounted/recessed profile
- ▶ With clear or opal cover

### Features

- ▶ Profile for combination with one Versa light

### Examples of use

- ▶ Furniture edges

### Ordering information

- ▶ Application image shows Channelline I with Versa Inside 90
- ▶ LED ballasts and LED lights must be ordered separately
- ▶ Sales unit: 1

### Technical details in brief



### Recommended for:

- Versa Inside 60
- Versa Inside 90
- Versa Inside 120

Channelline I		
Article	Order no. Clear cover	Order no. Opal cover
Aluminium / plastic profile 2000 mm	55 707 11	55 707 01
Aluminium / plastic profile 2000 mm (10 units per set)	55 707 13	55 707 03
Aluminium / plastic profile 3000 mm	55 707 12	55 707 02
Aluminium / plastic profile 3000 mm (10 units per set)	55 707 14	55 707 04
End cap (2 units per set)	25 563 01	25 563 01

### Dimensional drawing / installation

